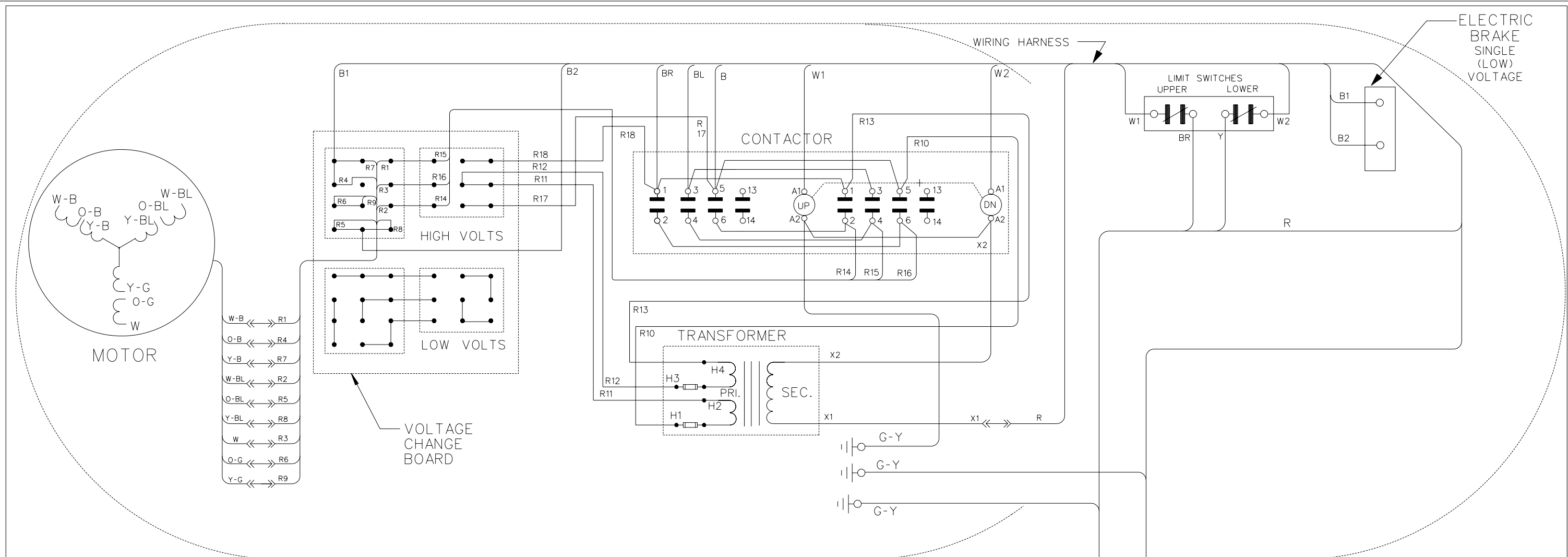
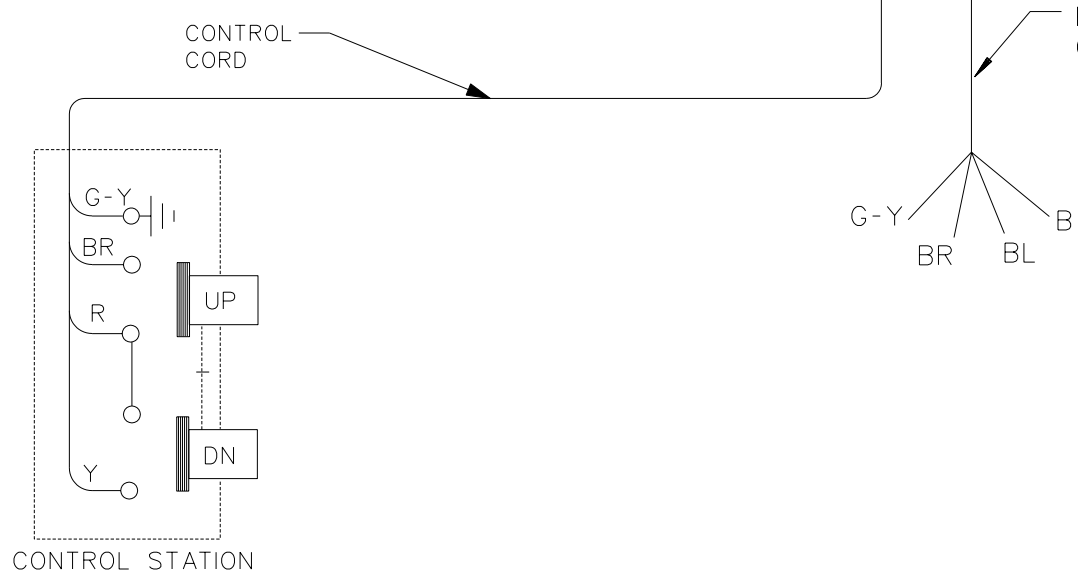


13455/ADOPTED/12-15-03/JGP



TO CONVERT WIRING FROM 440-480/3/60 OR 380-415/3/50 TO 208-240/3/60 OR 190-220/3/50 OPERATION, MOVE THE TWO PLUGS ON THE VOLTAGE CHANGE BOARD FROM THE LUGS MARKED HIGH VOLTS TO THE LUGS MARKED LOW VOLTS.

- ↔ LINE CONNECTOR
 - FUSE
 - CONNECTOR
 - +— MECHANICAL INTERLOCK
 - TERMINAL
- B=BLACK
 - R=RED
 - W=WHITE
 - G=GREEN
 - BL=BLUE
 - BR=BROWN
 - Y=YELLOW
 - T=TAN
 - O=ORANGE
 - P=PURPLE



CM COLUMBUS MCKINNON CORPORATION
INDUSTRIAL PRODUCTS DIVISION
140 JOHN JAMES AUDUBON PARKWAY
AMHERST, NEW YORK 14228-1197

WIRING DIAGRAM
LODESTAR HOIST
MODELS J, -JJ, -L, -LL, -R, & -RR,
DUAL VOLTAGE 3 PHASE
TYPE T CONTACTOR

DATE 11-7-03 B - 31634

B- DR. NO. 31634