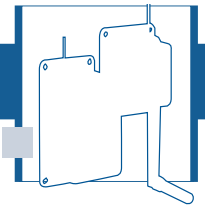




Hand Winch Type HA-AG

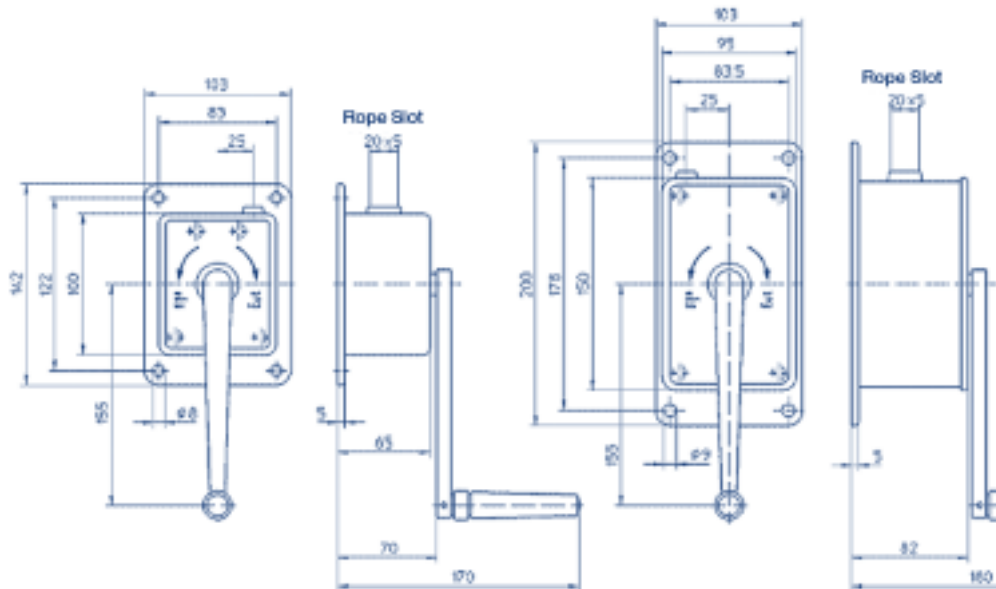


Lifting capacity 45 kg or 100 kg for wall mounting

- Hand operated winches designed for light duty application raising blinds, shutters, clothes lines and chandeliers
- Solid build quality with aluminium die-cast construction, corrosion resistant parts and powder coated paint finish
- Self locking with proven security concept
- Quiet running with a low crank effort, removable crank and low weight

Specification

Lifting capacity 1st layer	kg	45	100
Rope diameter	mm	2	3
Rope capacity total	m	12	8
Ratio		1:1	3:1
Lift per crank turn	mm	96	38
Required effort	kg	8	6
Weight	kg	1	2.1



45 kg

100 kg