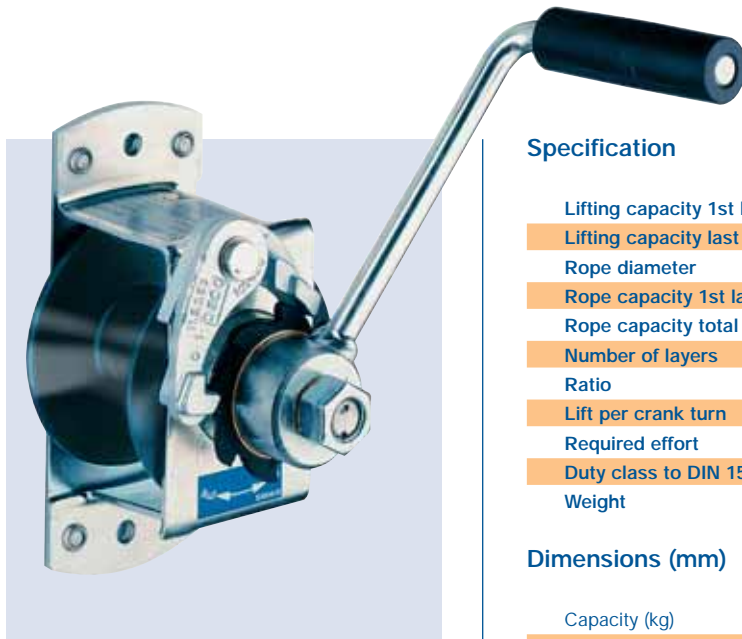
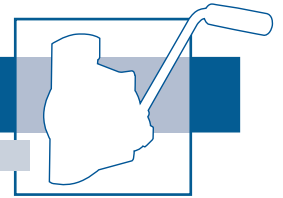




# Hand Winch Type HA-SW



## Specification

Lifting capacity 1st layer	kg	80	125
Lifting capacity last layer	kg	47	60
Rope diameter	mm	3	4
Rope capacity 1st layer	m	2.1	1.5
Rope capacity total	m	20	15
Number of layers		6	6
Ratio		1:1	1:1
Lift per crank turn	mm	135	135
Required effort	kg	14	14
Duty class to DIN 15020		1Em	1Em
Weight	kg	2.5	2.5

## Dimensions (mm)

Capacity (kg)	80	125
A	142	142
B	150	250
C	105	144
D	85	126
Eø	40	40
F	100	100
G	150	150
H	180	180
J	70	70
Kø	9	9

Lifting capacity 80 kg - 125 kg for wall mounting

- Compact unobtrusive hand winches
- Pressed steel with zinc plating
- Easy, safe operation
- Corrosion resistant
- Rope outlet in any direction
- With automatic Siku type brake - self sustaining
- Stainless Steel version available - 125 kg

