



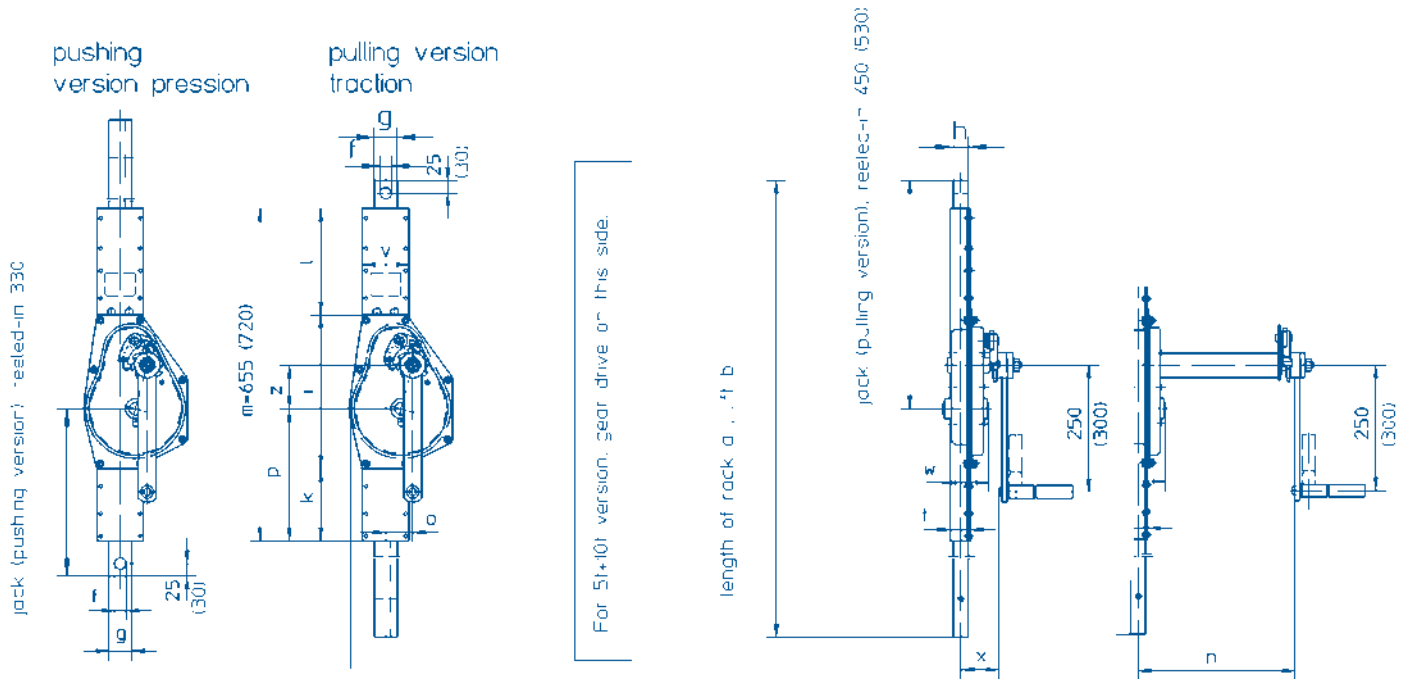
Rack & pinion jack for easy and secure lifting, lowering, adjusting, etc. of all kinds of charges

- Self locking security crank, keeps the charge in every required position
- Easy and effective operation through optimal gear ratio
- For pulling or pushing
- Load: 1.5 - 10 tonnes
- Special versions on request
  - Different length of rack
  - Different lift
  - Drive shaft connect several jacks
  - With internal brake and removable crank

## Specification

Type 1624	Type 1685					
Order No	Order No	adm. load	Version	Rack length	Lift	Lift/crank turn
205 186	205 195	1.5 t	Pulling version	1350 mm	800 mm	13.9 mm
205 187	205 196	1.5 t	Pulling version	1805 mm	1250 mm	13.9 mm
205 188	205 197	1.5 t	Pulling version	2055 mm	1500 mm	13.9 mm
205 189	205 198	1.5 t	Pulling version	2355 mm	1800 mm	13.9 mm
205 285	207 685	1.5 t	Pushing version	950 mm	400 mm	13.9 mm
205 190	205 199	1.5 t	Pushing version	1350 mm	800 mm	13.9 mm
205 192	205 200	1.5 t	Pushing version	1805 mm	1250 mm	13.9 mm
205 193	205 201	1 t	Pushing version	2055 mm	1500 mm	13.9 mm
205 194	205 202	0.75 t	Pushing version	2355 mm	1800 mm	13.9 mm
205 203	205 209	3 t	Pulling version	1350 mm	800 mm	8.0 mm
205 204	205 210	3 t	Pulling version	1800 mm	1250 mm	8.0 mm
205 205	205 211	3 t	Pulling version	2350 mm	1800 mm	8.0 mm
205 286	210 356	3 t	Pushing version	950 mm	400 mm	8.0 mm
205 206	205 212	3 t	Pushing version	1350 mm	800 mm	8.0 mm
205 207	205 213	2.5 t	Pushing version	1800 mm	1250 mm	8.0 mm
205 208	205 214	1 t	Pushing version	2350 mm	1800 mm	8.0 mm
205 215	205 288	5 t	Pulling version	1405 mm	800 mm	3.9 mm
205 216	205 289	5 t	Pulling version	2400 mm	1800 mm	3.9 mm
205 287	210 669	5 t	Pushing version	1000 mm	400 mm	3.9 mm
205 217	205 290	5 t	Pushing version	1405 mm	800 mm	3.9 mm
205 218	205 291	3 t	Pushing version	2400 mm	1800 mm	3.9 mm
200 065	200 073	10 t	Pulling version	1450 mm	800 mm	4.0 mm
200 066	200 074	10 t	Pushing version	1450 mm	800 mm	4.0 mm

# Rack & Pinion Jack



Dimensions in brackets are valid for jack with admissible load of 10t.

## Dimensions

Admissible load	f	g	h	ij	k	l	n	o	p	t	u	v	w	x	z
1.5t	20.5	35	25	195	200	260	400	43.5	270	33.5	125	78	78	67	42.5
3t	22.5	45	30	303	142	210	410	53	260	39.5	204	89	89	77	86
5t	26	50	40	308	163	184	420	69.5	260	51	189	104	104	88	109
10t	31	60	50	396	125	199	430	49	255	62.5	250	132	132	104	150.5

# liftturnmove

LIFT TURN MOVE LIMITED

UNIT 90, APPIN ROAD  
ARGYLE INDUSTRIAL  
ESTATE  
BIRKENHEAD  
MERSEYSIDE  
CH41 9HH

TEL: 0151 649 0467  
FAX: 0151 649 0099  
WWW.LIFTTURNMOVE.CO.UK  
SALES@LIFTTURNMOVE.CO.UK  
LTM 'THE LIFTING PEOPLE'

