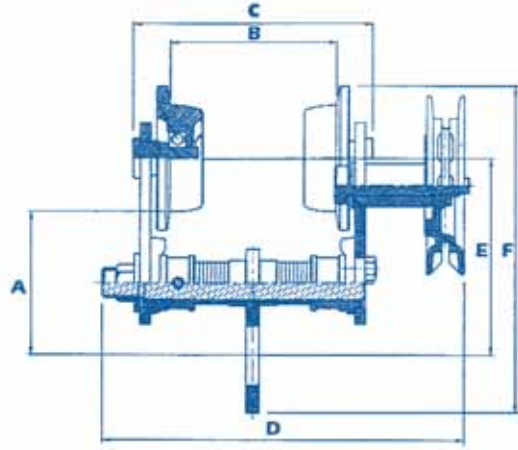




RexLine Girders Trolleys



- Capacity 500 to 5,000 kg
- Easy and safe operation
- Ball bearing wheels ease load movement
- Easy adjustment of the beam width by setting the main crosshead bolt
- Anti drop stops



Specification

Dimensions (mm)

Capacity (t)	Beam width range (mm)	Weight (kg)	A	B	C	D	E	F
0.5	61-136	6	103	126	180	-	136	220
1	61-136	11	106	125	180	200	146	242
2	74-155	19	125	150	210	230	175	300
3	79-155	28	156	150	230	244	212	352
5	92-178	43	172	175	260	274	235	395